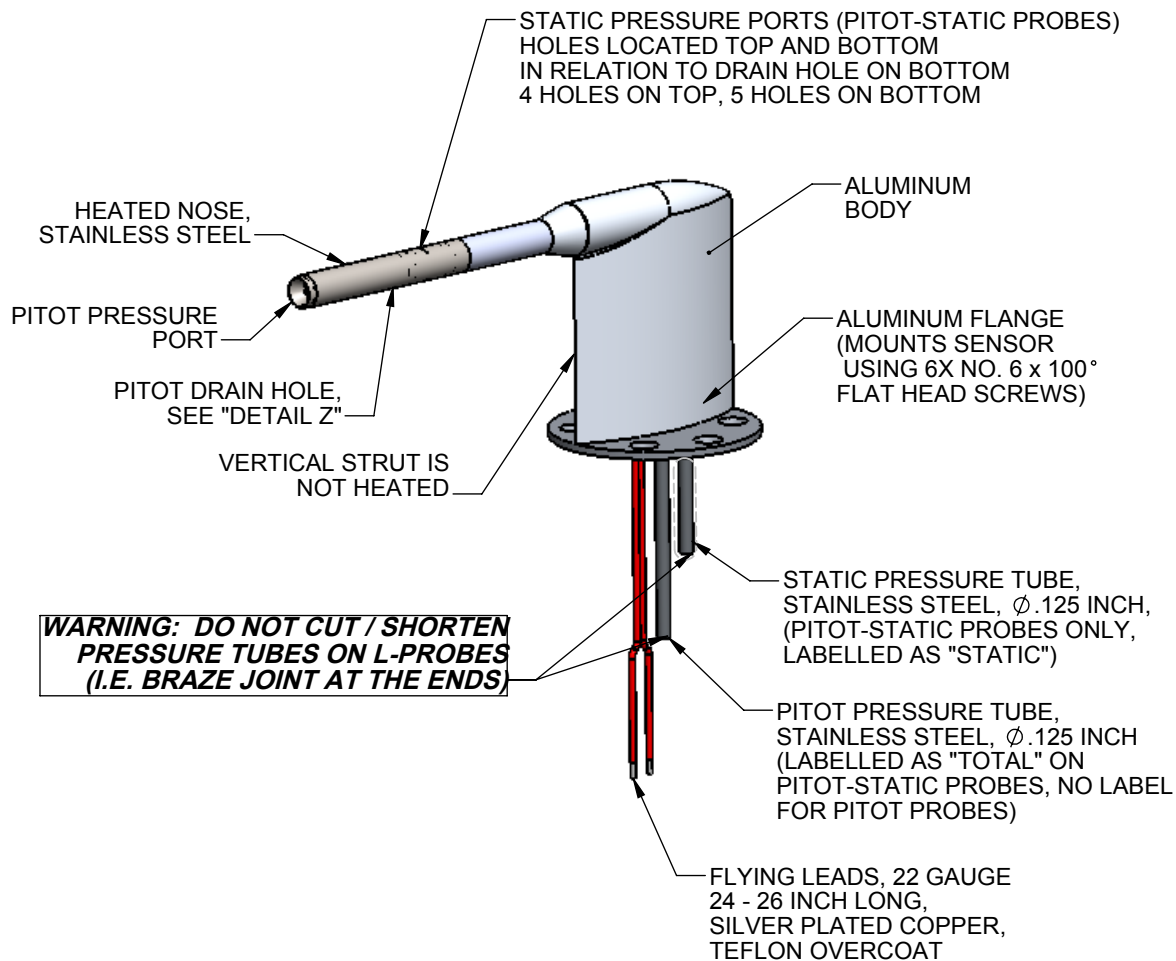
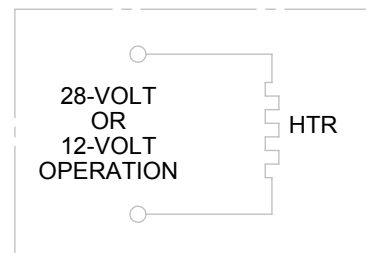
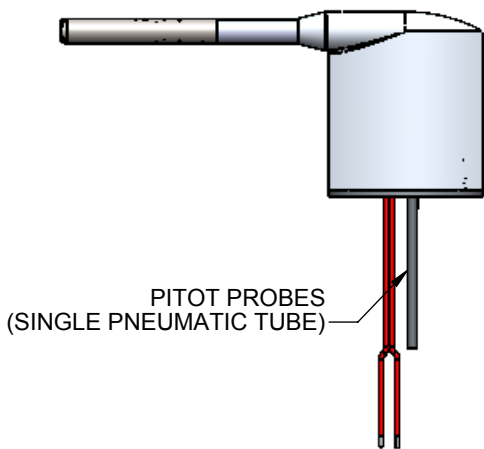


This drawing contains design and other information which is the property of SpaceAge Control, Inc. Except for rights expressly granted by contract to the United States Government, this drawing and data disclosed herein or herewith is not to be reproduced, used, or disclosed in whole or in part to anyone without the written permission of SpaceAge Control, Inc.

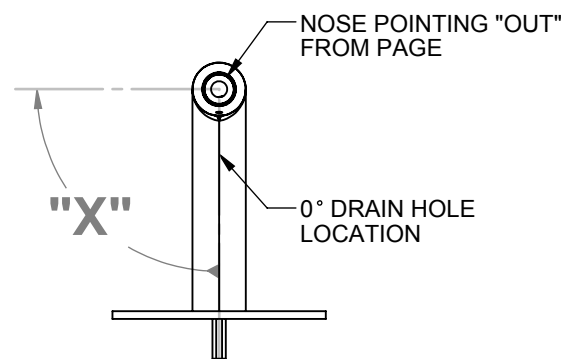
L-SHAPED PROBES



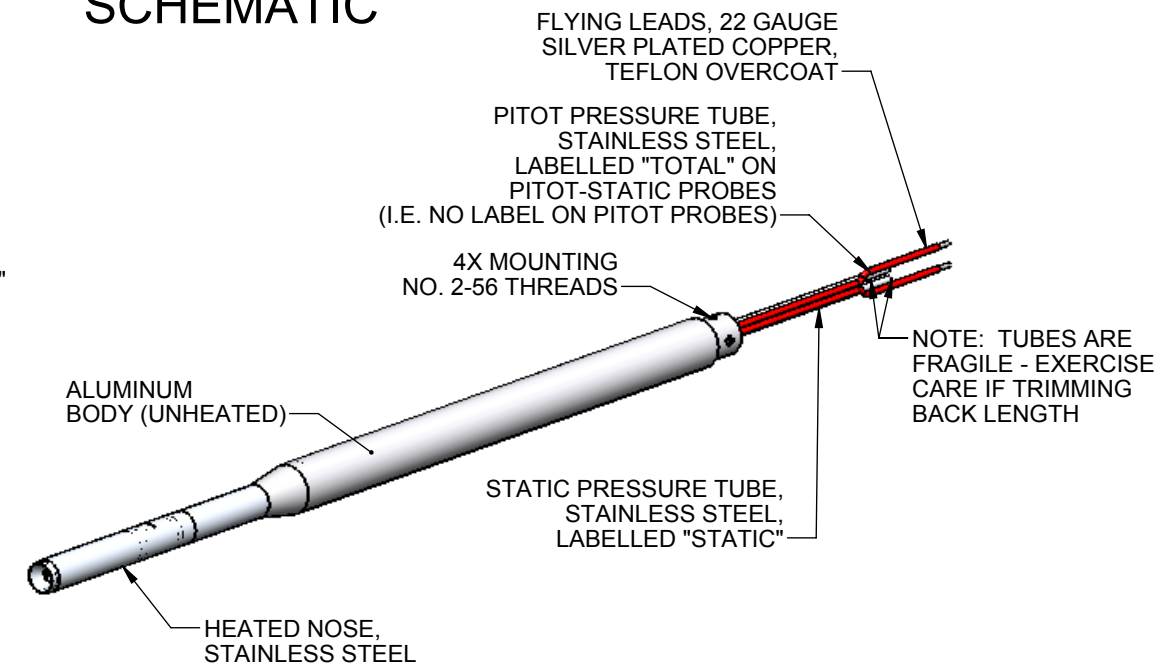
WARNING: DO NOT CUT / SHORTEN PRESSURE TUBES ON L-PROBES (I.E. BRAZE JOINT AT THE ENDS)



SCHEMATIC



DETAIL Z DRAIN HOLE ORIENTATION



STRAIGHT PROBES

NOTES (UNLESS OTHERWISE SPECIFIED):

- DESCRIPTION: HEATED PITOT AND PITOT-STATIC PROBES, L-SHAPED AND STRAIGHT.
- WEIGHT: .23 LB MAX (.20 LB NOMINAL FOR L-PROBES, .19 LB NOMINAL FOR STRAIGHT PROBES)
- HEATER CHARACTERISTICS: 28-VOLT OR 12-VOLT OPERATION. HEATER IS SELF-REGULATING - RESISTANCE INCREASES AS TEMPERATURE INCREASES. MAXIMUM POWER IS ACHIEVED IN HIGH AIRFLOW IN ICING CONDITIONS.
 - CONTINUOUS POWER: 50 WATTS MAX
 - POWER IN STILL AIR CONDITIONS: 30 WATTS MAX
 - INITIAL SURGE AT POWER-UP: 150 WATTS MAX (DROPS TO CONTINUOUS LEVELS IN LESS THAN 30 SECONDS)
- ANTI-ICING PERFORMANCE: WITHSTANDS SEVERE IN-FLIGHT ICING CONDITIONS SUCH AS:
 - 30 ° C STATIC TEMPERATURE
 - 300 KNOTS INDICATED AIRSPEED
 - 1.0 g/m³ LIQUID WATER CONTENT

NOTE: THE NOSE IS HEATED BUT THE VERTICAL STRUT IS UNHEATED AND ICE CAN FORM OVER TIME. LIMIT THE TIME DURATION IN SEVERE CONDITIONS (PER ABOVE) TO 15 MINUTES MAXIMUM FOR PITOT-STATIC PROBES, AND 30 MINUTES MAXIMUM FOR PITOT PROBES. A PROPORTIONALLY HIGHER DURATION IS POSSIBLE FOR LOWER LIQUID WATER CONTENT CONDITIONS.

PART NO.	PROBE TYPE	SHAPE	HEATER VOLTAGE	DRAIN HOLE ANGLE "X"
4254-01	PITOT	L-SHAPED	28 VOLTS	0°
4254-02	PITOT	L-SHAPED	12 VOLTS	0°
4254-03	PITOT-STATIC	L-SHAPED	28 VOLTS	0°
4254-04	PITOT-STATIC	L-SHAPED	12 VOLTS	0°
4254-05	PITOT	STRAIGHT	28 VOLTS	0°
4254-06	PITOT	STRAIGHT	12 VOLTS	0°
4254-07	PITOT-STATIC	STRAIGHT	28 VOLTS	0°
4254-08	PITOT-STATIC	STRAIGHT	12 VOLTS	0°
4254-09	PITOT	L-SHAPED	28 VOLTS	90°
4254-10	PITOT	L-SHAPED	28 VOLTS	180°
4254-11	PITOT	L-SHAPED	28 VOLTS	270°
4254-12	PITOT-STATIC	L-SHAPED	28 VOLTS	90°
4254-13	PITOT-STATIC	L-SHAPED	28 VOLTS	180°
4254-14	PITOT-STATIC	L-SHAPED	28 VOLTS	270°
4254-15	PITOT	L-SHAPED	12 VOLTS	90°
4254-16	PITOT	L-SHAPED	12 VOLTS	180°
4254-17	PITOT	L-SHAPED	12 VOLTS	270°
4254-18	PITOT-STATIC	L-SHAPED	12 VOLTS	90°
4254-19	PITOT-STATIC	L-SHAPED	12 VOLTS	180°
4254-20	PITOT-STATIC	L-SHAPED	12 VOLTS	270°

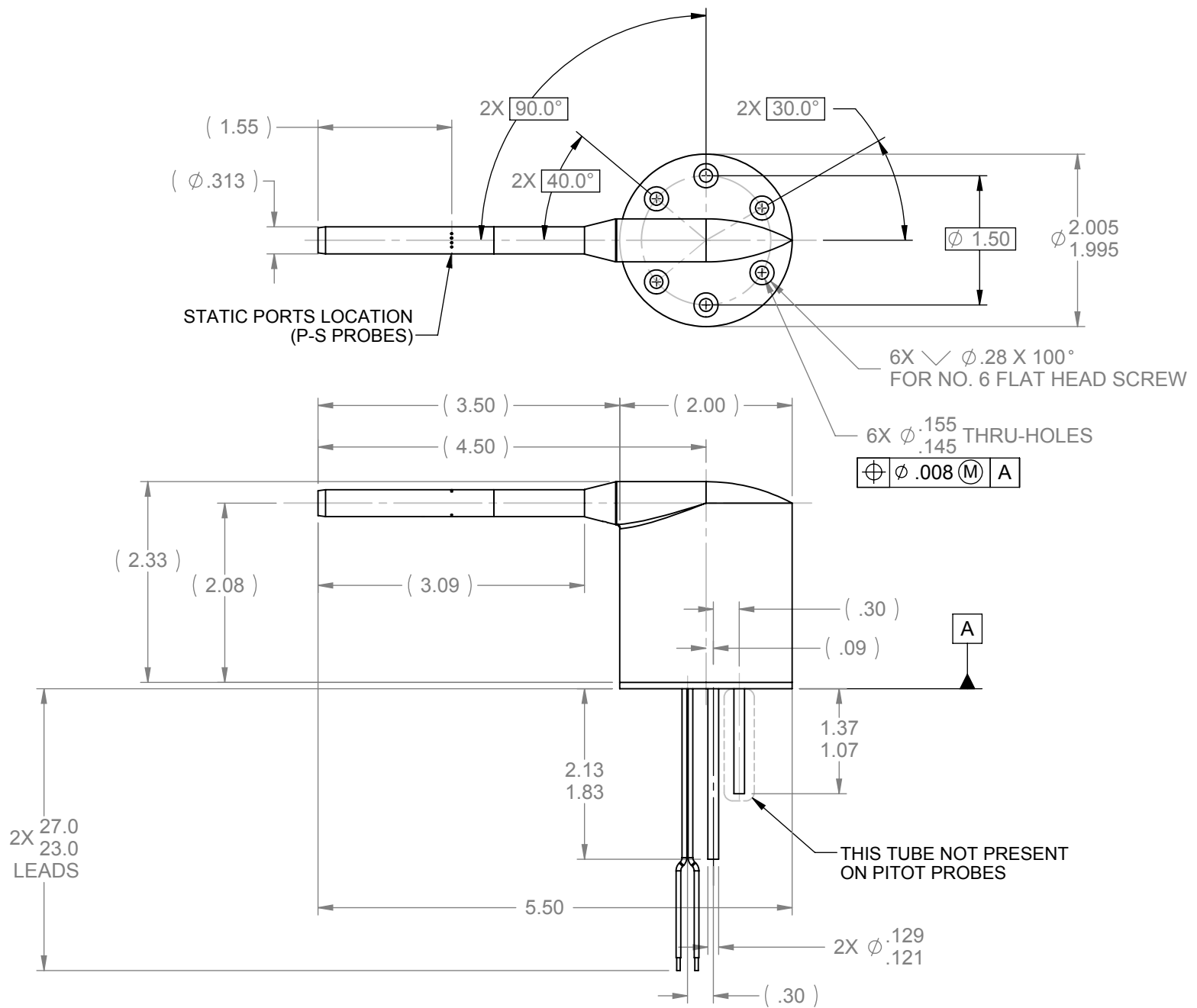
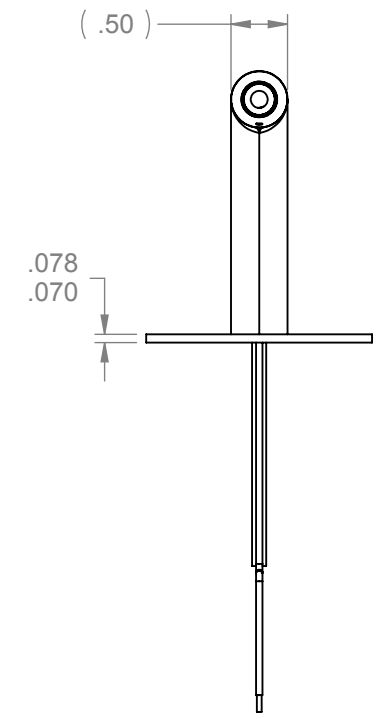
THE DRAIN HOLE ANGLE FOR STRAIGHT PROBES IS RELATIVE TO ANY ONE OF THE THREADED MOUNTING HOLES

SPA PN 4254-XX
(WHERE "XX" IS DASH NO.)

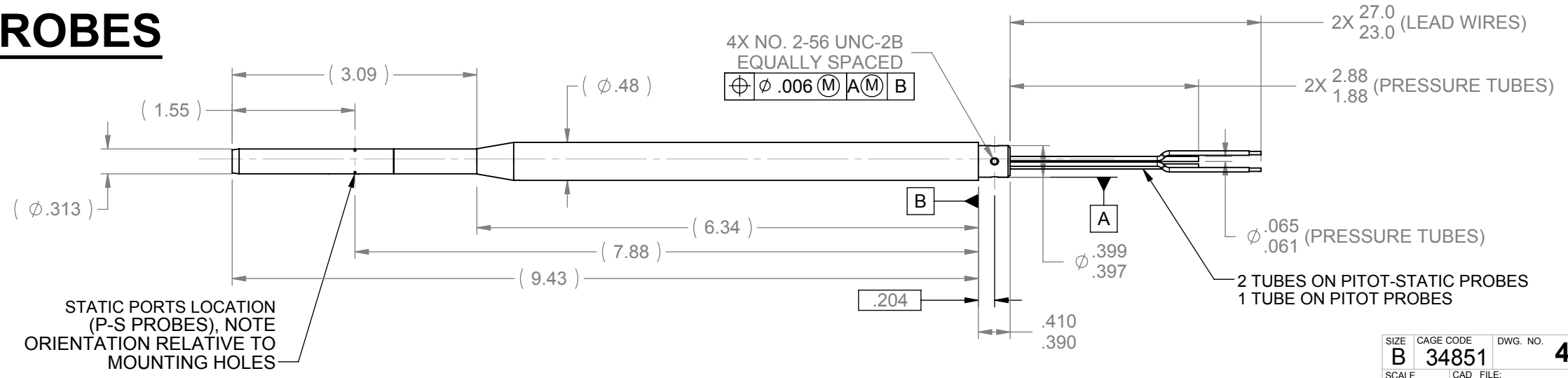
DRAWN B.P. DATE 09-17-07			HEATED PITOT OR PITOT-STATIC PROBE		
APPROVALS					
CHECKED	DIGITAL - ON FILE	SIZE B	CAGE CODE 34851	DWG. NO. 4254	REV. H
ENG	DIGITAL - ON FILE	SCALE	CAD FILE:	SHEET 1 OF 2	
MATERIAL SEE NOTES		CAD GENERATED DRAWING, DO NOT MANUALLY UPDATE			
FINISH SEE NOTES					

This drawing contains design and other information which is the property of SpaceAge Control, Inc. Except for rights expressly granted by contract to the United States Government, this drawing and data disclosed herein or herewith is not to be reproduced, used, or disclosed in whole or in part to anyone without the written permission of SpaceAge Control, Inc.

L-SHAPE PROBES



STRAIGHT PROBES



SIZE	CAGE CODE	DWG. NO.	REV.
B	34851	4254	H
SCALE	CAD FILE:	SHEET	OF
		2	2